



# Magnetic Autocontrol GmbH

Grienmatt 20  
D-79650 Schopfheim  
Tel. 07622 6955

Job number 5526,0066  
Customer MHTM  
Commission MicroDrive  
End customer / Place of installation

Type MHTM - MicroDrive - Buzzer ESU01

Number of pages 5

				23.09.2013
				gp
01	21.11.13	5K13528	gp	
Version	Date	Modification project	Name	00 5K13520

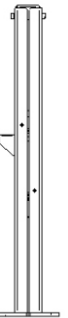
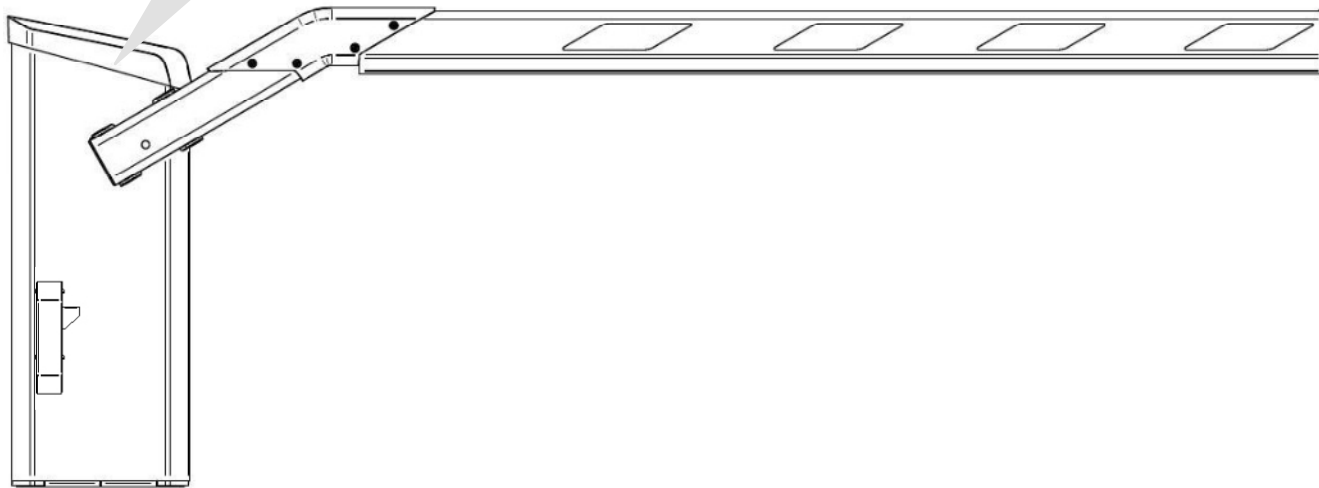
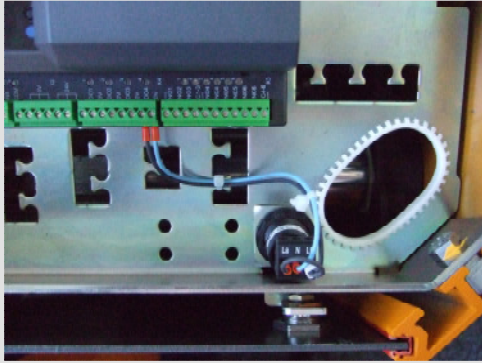
MHTM  
MicroDrive



Cover sheet

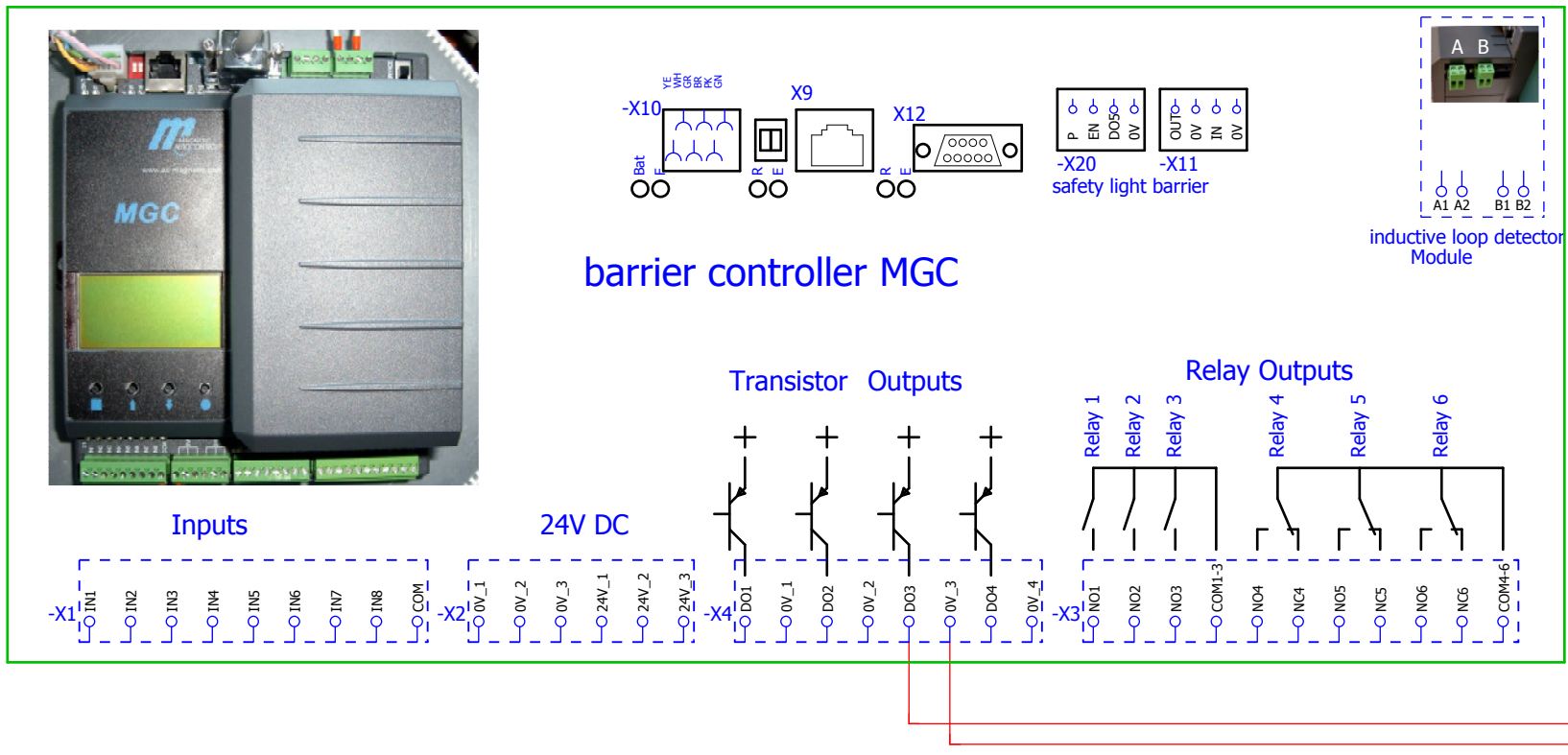
5526,0066

Buzzer



# OPTION 1 Buzzer (signal light A)

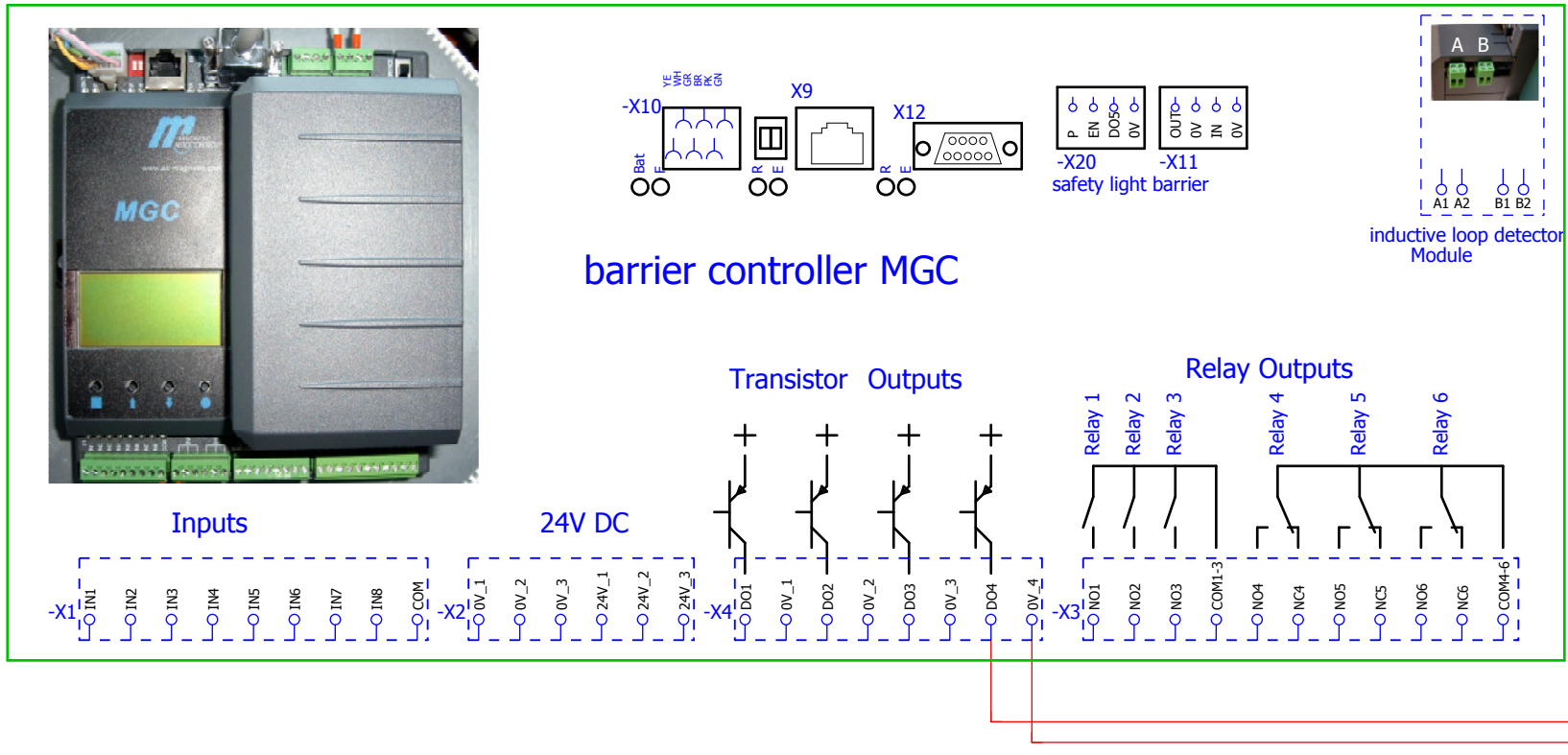
-A1  
/4.1



D03= Buzzer (signal light A, select required mode in menu)

# OPTION 2 Buzzer (signal light B)

-A1  
/3.1



D04= Buzzer (signal light B, select required mode in menu)



terminal demountable



sound selection adjustable on terminals

ESV

La	N	Lb	
X	X		puls sound      ESV
X	X	X	continuous tone      ESV

